



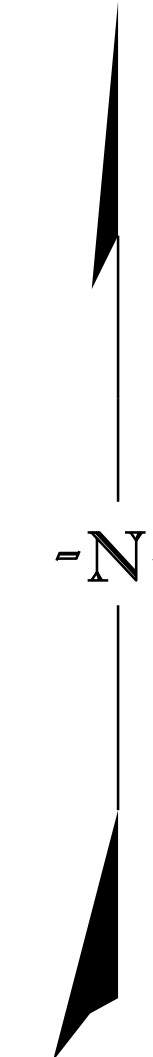
South Carolina Department of Transportation

INDEX OF SHEETS

- 1 TITLE SHEET
- 2 CONCEPTUAL BRIDGE PLAN AND PROFILE
- 3 CONCEPTUAL BRIDGE STAGING SECTION 1 OF 2
- 4 CONCEPTUAL BRIDGE STAGING SECTION 2 OF 2

# CONCEPTUAL PLANS FOR PROJECT ID P038111 GREENVILLE COUNTY INTERSTATE 85 REPLACE BRIDGE OVER ROCKY CREEK

SITE LOCATION



Approximate Location of Bridge is  
Latitude 34° - 51' - 21" N  
Longitude 82° - 16' - 06" W

LAYOUT

NET LENGTH OF ROADWAY	0.000	MILES
NET LENGTH OF BRIDGES	0.039	MILES
NET LENGTH OF PROJECT	0.039	MILES
LENGTH OF EXCEPTIONS	0.000	MILES
GROSS LENGTH OF PROJECT	0.039	MILES

NOTE: EXCEPT AS MAY OTHERWISE BE SPECIFIED ON THE PLANS OR IN THE SPECIAL PROVISIONS, ALL MATERIALS AND WORKMANSHIP ON THIS PROJECT SHALL CONFORM TO THE SOUTH CAROLINA DEPARTMENT OF TRANSPORTATION STANDARD SPECIFICATIONS FOR HIGHWAY CONSTRUCTION (2007 EDITION) AND THE STANDARD DRAWINGS FOR ROAD CONSTRUCTION IN EFFECT AT THE TIME OF LETTING.

CONSULTING ENGINEERING FIRM

**Michael Baker**  
INTERNATIONAL

ENGINEER OF RECORD

CONCEPTUAL BRIDGE PLANS

FOR CONSTRUCTION : \_\_\_\_\_ DATE \_\_\_\_\_

3 DAYS BEFORE DIGGING IN  
SOUTH CAROLINA  
**CALL 811**  
SOUTH CAROLINA 811 (SC811)  
WWW.SC811.COM  
ALL UTILITIES MAY NOT BE A MEMBER OF SC811

ASSET ID 3874

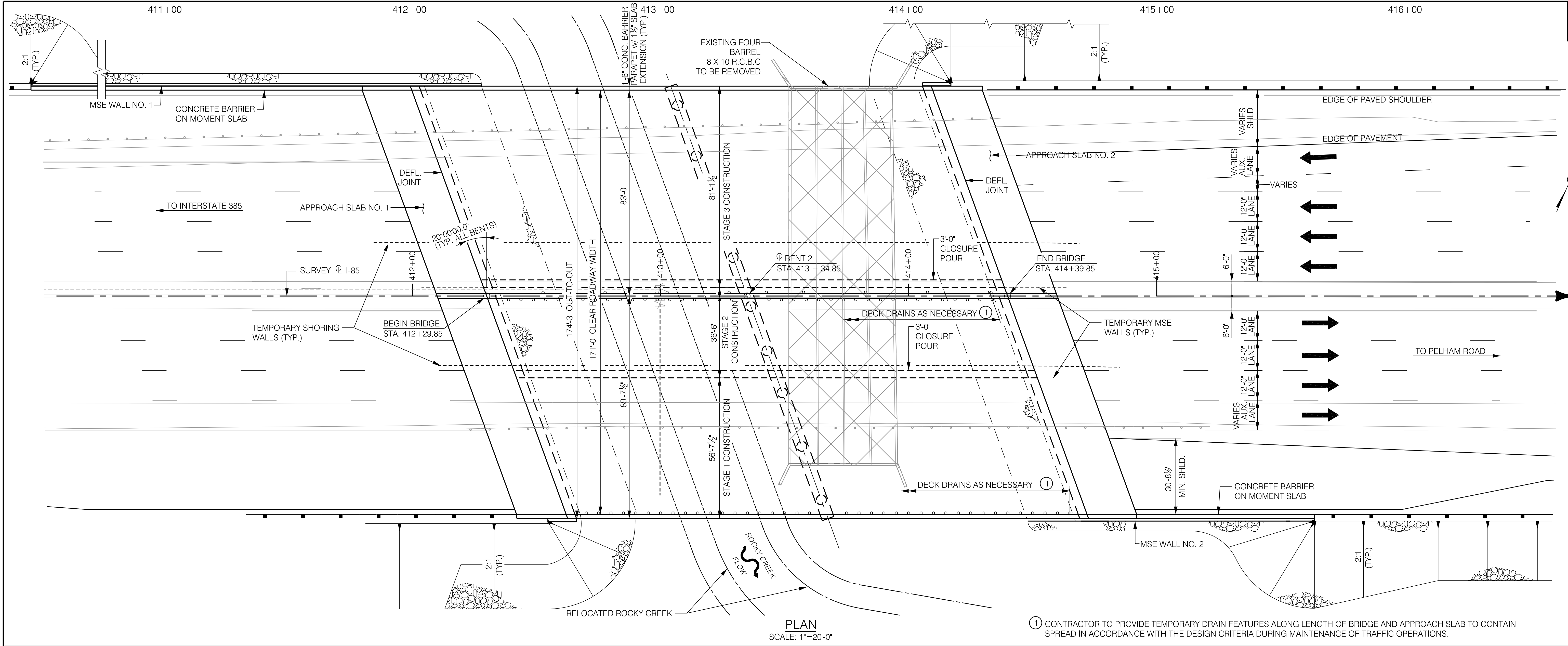
TRAFFIC DATA (I-85 OVER ROCKY CREEK)			
YEAR	ADT	V.P.D.	
2020	142,900		
2040	259,700		
TRUCKS		18	%

\\Rocky\_Creek\VC\TITLE.dwg 4:50:59 PM jrm/z  
 3/29/2019

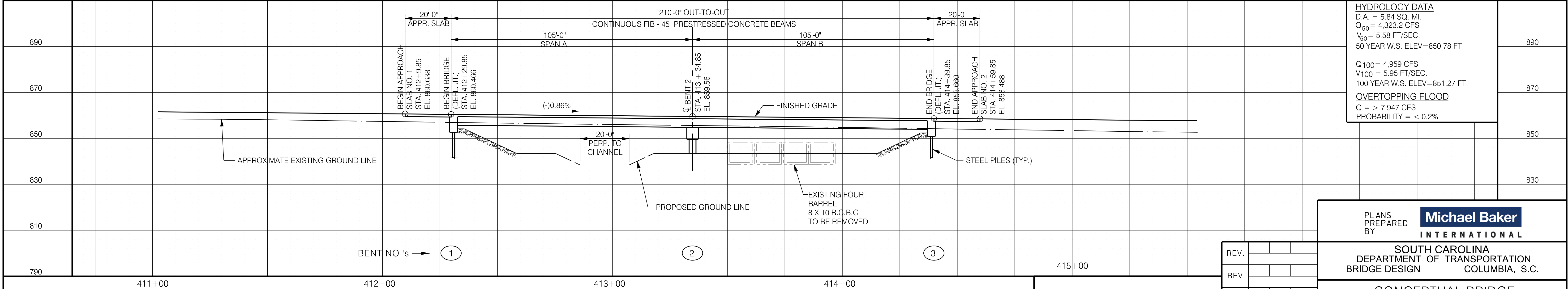
\$\$\$  
 \$\$\$  
 \$\$\$

REVIEWED	S. ROSS	WDM	XXX	02-16	DATE
DR.		BY	CHK		





PLAN  
SCALE: 1"=20'-0"



SECTION ALONG CENTERLINE INTERSTATE 85  
SCALE: 1"=20'-0"

HYDROLOGY DATA	
D.A. = 5.84 SQ. MI.	890
Q <sub>50</sub> = 4,323.2 CFS	870
V <sub>50</sub> = 5.58 FT/SEC.	850
50 YEAR W.S. ELEV=850.78 FT	830
Q <sub>100</sub> = 4,959 CFS	
V <sub>100</sub> = 5.95 FT/SEC.	
100 YEAR W.S. ELEV=851.27 FT.	
OVERTOPPING FLOOD	
Q = > 7,947 CFS	
PROBABILITY = < 0.2%	

PLANS PREPARED BY **Michael Baker INTERNATIONAL**

SOUTH CAROLINA DEPARTMENT OF TRANSPORTATION BRIDGE DESIGN COLUMBIA, S.C.

**CONCEPTUAL BRIDGE PLAN AND PROFILE**

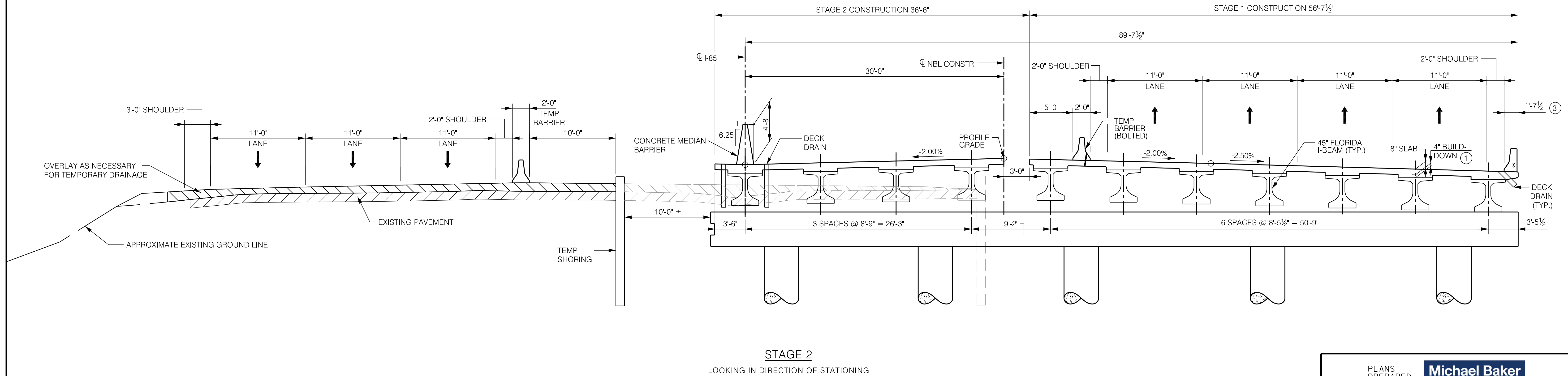
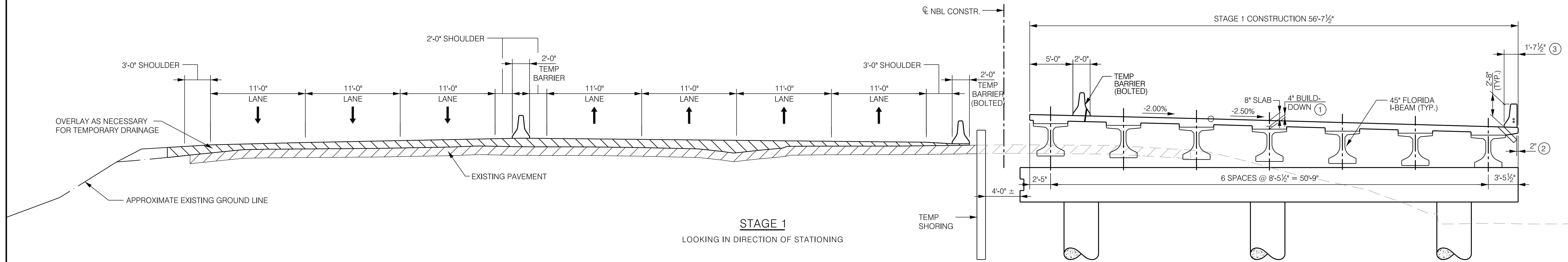
INTERSTATE 85 REPLACE BRIDGE OVER ROCKY CREEK

COUNTY GREENVILLE ROUTE I-85

REV.			
REV.			
REV.			
REVIEWED			
QUAN.			
DR.	WDM	SHR	
DES.			
BY	CHK	DATE	

**NOT FOR CONSTRUCTION  
SUBJECT TO CHANGE**

Rocky Creek\NC\_PP\_17425.dgn  
 3/29/2019 4:31:07 PM jmeiz



- ① AT  $\bar{C}$  BEARING, VARIES IN SPAN TO COMPENSATE FOR VARIATIONS IN CAMBER.
- ②  $\bar{C}$  CONTINUOUS  $\frac{3}{4}$ " DRIP GROOVE ENTIRE LENGTH OF BRIDGE (TYP.)
- ③ 1'-6" CONCRETE BARRIER PARAPET W/  $\frac{1}{2}$ " SLAB EXTENSION (TYP.)

**NOT FOR CONSTRUCTION  
SUBJECT TO CHANGE**

REV.			
REV.			
REV.			
REVIEWED			
QUAN.			
DR.	WDM	SHR	
DES.			
BY	CHK	DATE	

PLANS PREPARED BY **Michael Baker INTERNATIONAL**

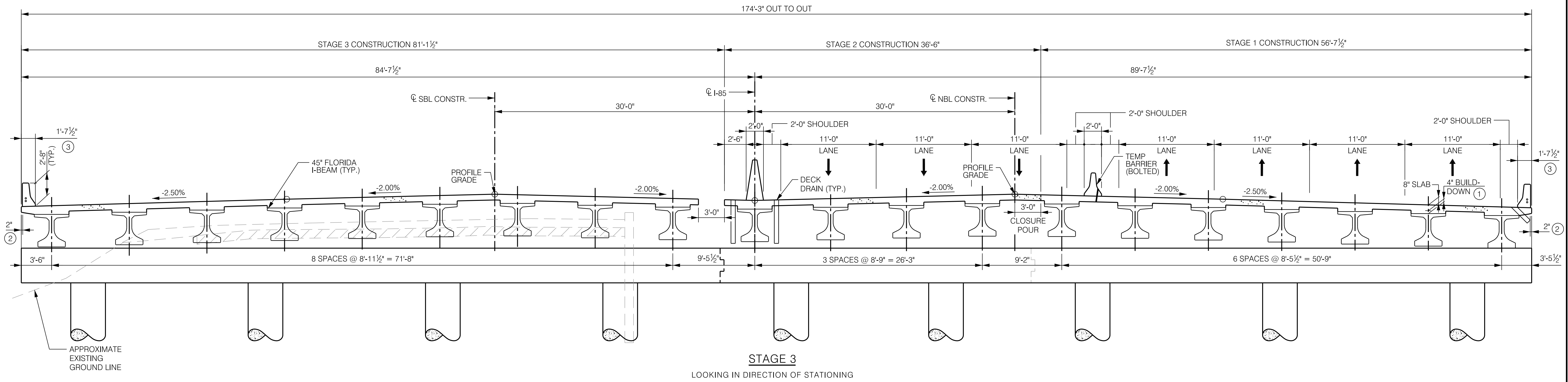
SOUTH CAROLINA DEPARTMENT OF TRANSPORTATION BRIDGE DESIGN COLUMBIA, S.C.

**CONCEPTUAL BRIDGE STAGING SECTIONS 1 OF 2**

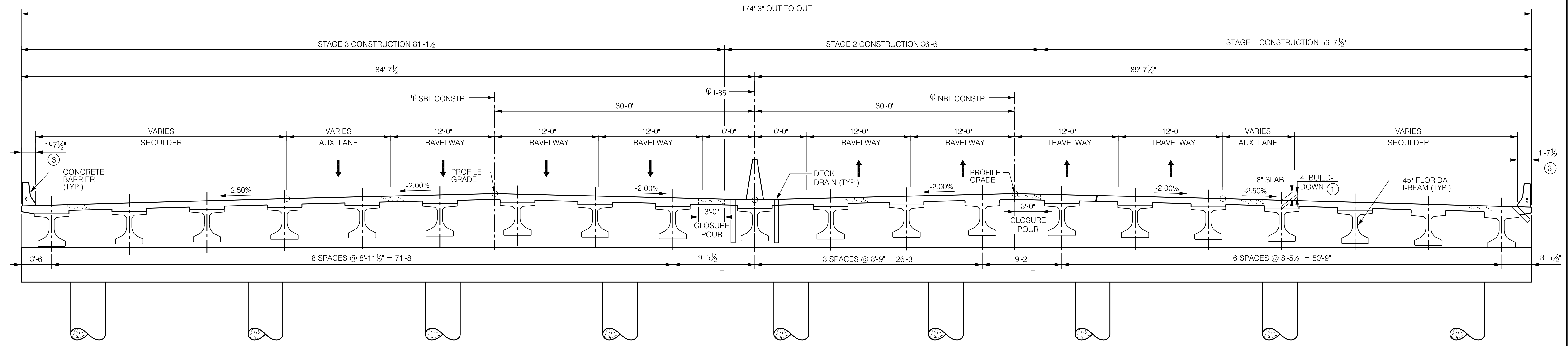
INTERSTATE 85 REPLACE BRIDGE OVER ROCKY CREEK

COUNTY GREENVILLE ROUTE I-85





STAGE 3  
LOOKING IN DIRECTION OF STATIONING



COMPLETED BRIDGE SECTION  
LOOKING IN DIRECTION OF STATIONING

- ① AT  $\phi$  BEARING, VARIES IN SPAN TO COMPENSATE FOR VARIATIONS IN CAMBER.
- ②  $\phi$  CONTINUOUS  $\frac{3}{4}$ " DRIP GROOVE ENTIRE LENGTH OF BRIDGE (TYP.)
- ③ 1'-6" CONCRETE BARRIER PARAPET W/  $\frac{1}{2}$ " SLAB EXTENSION (TYP.)

**NOT FOR CONSTRUCTION  
SUBJECT TO CHANGE**

REV.			
REV.			
REV.			
REVIEWED			
QUAN.			
DR.	WDM	SHR	
DES.			
BY	CHK.	DATE	

PLANS PREPARED BY  
**Michael Baker INTERNATIONAL**

SOUTH CAROLINA  
DEPARTMENT OF TRANSPORTATION  
BRIDGE DESIGN COLUMBIA, S.C.

**CONCEPTUAL BRIDGE  
STAGING SECTIONS 2 OF 2**

INTERSTATE 85 REPLACE BRIDGE  
OVER ROCKY CREEK

COUNTY GREENVILLE ROUTE I-85

\\_ARC\_TYP\_SECT\_STAGE 3&4\_I7425 11 Walthudgn  
 3/29/2019 4:31:00 PM jmerz